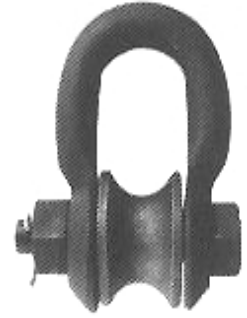




# BLOCKS



[www.vanguardsteel.com](http://www.vanguardsteel.com)



VANGUARD STEEL LTD.



# BLOCKS

## TABLE OF CONTENTS

	Page
<b>General Information</b>	<b>1</b>
<b>SK-05 Korean Type</b>	<b>7</b>
<b>V-1800 Snatch Block with Hook</b>	<b>2</b>
<b>V-1900 Snatch Block with Swivel Shackle</b>	<b>3</b>
<b>V-4000 Snatch Block Tail Board</b>	<b>4</b>
<b>Gin Block</b>	<b>8</b>
<b>Roller Shackle</b>	<b>9</b>
<b>FX Yarding Block</b>	<b>6</b>
<b>Yarding Block</b>	<b>5</b>



# Snatch Blocks - Bronze Bushed



## MAINTENANCE:

To ensure peak efficiency and extended service life, it is necessary that blocks be inspected and maintained at frequent intervals:

Inspect products for any signs of wear or damage, such as:

- Worn or damaged sheaves, bushings, side plates, pins, hooks or shackles. Replace any part showing signs of wear or damage!
- Hook latch for proper fit and operation. Replace deformed latches!

These particular blocks feature bronze bushings, which are not self-lubricating. They are designed for infrequent or intermittent use with low line speeds. Observe the following lubrication schedule:

- Moderate use: Every 8 hours
- Intermittent operation: Once weekly

## LOADS:

Throughout this catalogue, the term Working Load Limit (abbreviated: WLL) is being used. It refers to the maximum load or force which a product is designed to support under normal operating and environmental conditions and the product being in an 'as new' condition.

## IMPORTANT:

The total load on a snatch block, and therefore also on any fitting which is attached to the block, is usually considerably greater than the actual load lifted or pulled. The deciding factor in determining the total load on a single line block is the angle between the lead line and the load line:

Total load on block = Actual Load Lifted x Multiplication Factor (single line systems only):

Lead/Load Line Angle	Factor	Lead/Load Line Angle	Factor	Lead/Load Line Angle	Factor
0°	2.00	60°	1.73	130°	0.84
10°	1.99	70°	1.64	135°	0.78
20°	1.97	80°	1.53	140°	0.68
30°	1.93	90°	1.41	150°	0.52
40°	1.87	100°	1.29	160°	0.35
45°	1.84	110°	1.15	170°	0.17
50°	1.81	120°	1.00	180°	0.00

### Warning:

NEVER EXCEED WORKING LOAD LIMITS!  
ALWAYS REFER TO LOAD CALCULATION TABLE BASED ON LINE ANGLE!

VANGUARD STEEL LTD.



## V-1800 Snatch Blocks with Hook

Bronze Bushed-Supplied with latch kit

Designed for intermittent use with low line speed.

Ultimate load is 4 x Working Load Limit (WLL)



V-1800				Weight lbs/pc	Product Code
WLL Tons	Sheave Dia.	Rope Dia.			
2	3"	3/8"		3	29362030
4	4-1/2"	1/2"		12	29362045
8	6"	3/4"		27	29362060
8	8"	3/4"		35	29362080
15	8"	1-1/8"		58	29362081
20	8"	1-1/8"		103	29362082
8	10"	3/4"		50	29362100



Total Load on block= Actual Load Lifted x Multiplication Factor (single line systems only)

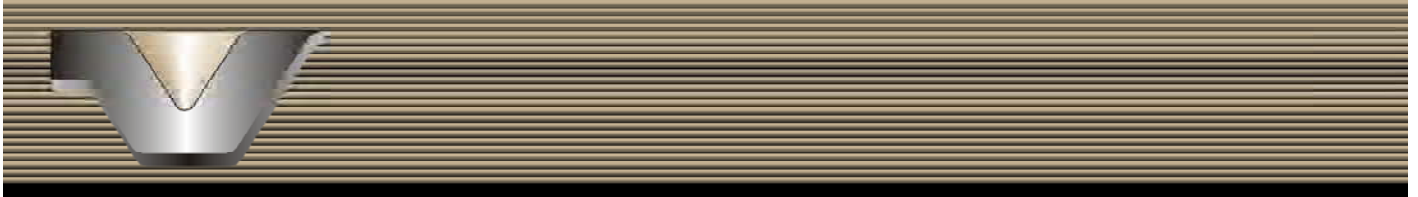
Lead/Load Line Angle	Factor	Lead/Load Line Angle	Factor	Lead/Load Line Angle	Factor
0°	2.00	60°	1.83	130°	0.84
10°	1.99	70°	1.64	135°	0.76
20°	1.97	80°	1.53	140°	0.67
30°	1.93	90°	1.41	150°	0.52
40°	1.87	100°	1.29	160°	0.35
45°	1.84	110°	1.15	170°	0.17
50°	1.81	120°	1.00	180°	0.00

### WARNING

Never Exceed working load limits !

Always refer to load calculations based on line angle!

VANGUARD STEEL LTD.



# V-1900 Snatch Blocks with Swivel Shackle

Bronze Bushed

Designed for intermittent use with low line speed.

Ultimate load is 4 x Working Load Limit (WLL)



V-1900				Weight lbs/pc	Product Code
WLL Tons	Sheave Dia.	Rope Dia.			
2	3"	3/8"		3	29353030
4	4-1/2"	1/2"		13	29353045
8	6"	3/4"		29	29353060
8	8"	3/4"		36	29353080
15	8"	1-1/8"		65	29353081
20	8"	1-1/8"		117	29353082
8	10"	3/4"		53	29353100
15	10"	7/8-1"		82	29353101
8	14"	5/8"		81	29353140



Total Load on block= Actual Load Lifted x Multiplication Factor (single line systems only)

Lead/Load Line Angle	Factor	Lead/Load Line Angle	Factor	Lead/Load Line Angle	Factor
0°	2.00	60°	1.83	130°	0.84
10°	1.99	70°	1.64	135°	0.76
20°	1.97	80°	1.53	140°	0.67
30°	1.93	90°	1.41	150°	0.52
40°	1.87	100°	1.29	160°	0.35
45°	1.84	110°	1.15	170°	0.17
50°	1.81	120°	1.00	180°	0.00

## WARNING

**Never Exceed working load limits !**

**Always refer to load calculations based on line angle!**

**VANGUARD-STEEL-LTD.**



## V-4000 Tail Boards

Designed for intermittent use with low line speed.  
 Ultimate load is 4 x Working Load Limit (WLL)



V-1800				Weight	Product
WLL Tons	Sheave Dia.	Rope Dia.		lbs/pc	Code
2	3"	3/8"		3	29351030
4	4-1/2"	1/2"		8	29351045
8	6"	3/4"		15	29351060
8	8"	3/4"		25	29351080
15	8"	1-1/8"		35	29351081
20	8"	1-1/8"		70	29351083



Total Load on block= Actual Load Lifted x Multiplication Factor (single line systems only)

Lead/Load Line Angle	Factor	Lead/Load Line Angle	Factor	Lead/Load Line Angle	Factor
0°	2.00	60°	1.83	130°	0.84
10°	1.99	70°	1.64	135°	0.76
20°	1.97	80°	1.53	140°	0.67
30°	1.93	90°	1.41	150°	0.52
40°	1.87	100°	1.29	160°	0.35
45°	1.84	110°	1.15	170°	0.17
50°	1.81	120°	1.00	180°	0.00

### WARNING

Never Exceed working load limits !

Always refer to load calculations based on line angle!

VANGUARD STEEL LTD.





# Yarding Blocks

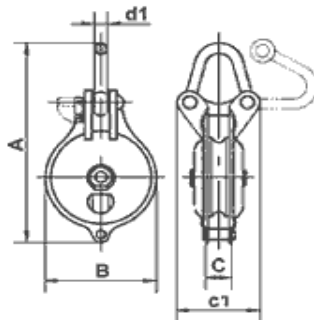
Fast and strong for light duty and high speed applications  
 Smooth roller bearing action with grease nipple  
 Pull pin to use as snatch block  
 Painted or H.D. Galvanized



Yarding Blocks		Measurements in inches					Weight lbs/pc	Product Code	
WLL Tons	Sheave Dia.	A	B	C	C-1	D-1		Painted	H.D. Galv
1.5	3"	6.93	3.35	1.02	3.15	0.47	3	29360300	293603001
3	4"	9.25	4.76	1.34	3.39	0.63	5	29360400	293604001
4.5	5"	12.01	5.71	1.50	4.06	0.71	9	29360500	263605001
6	6"	13.78	7.09	1.61	4.33	0.87	17	29360600	263606001
8	8"	16.73	8.86	1.81	6.50	1.10	35	29360800	263608001

Ultimate load                    3 x the Working Load Limit ( WLL)

**WARNING :**                    **Do not exceed the listed load limits**





## FX Yarding Blocks

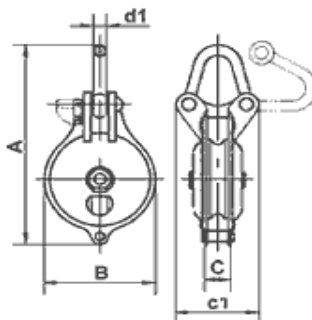
Fast and strong for light duty and high speed applications  
 Smooth roller bearing action with grease nipple  
 Pull pin to use as snatch block  
 All Black to help block blend into its surroundings.



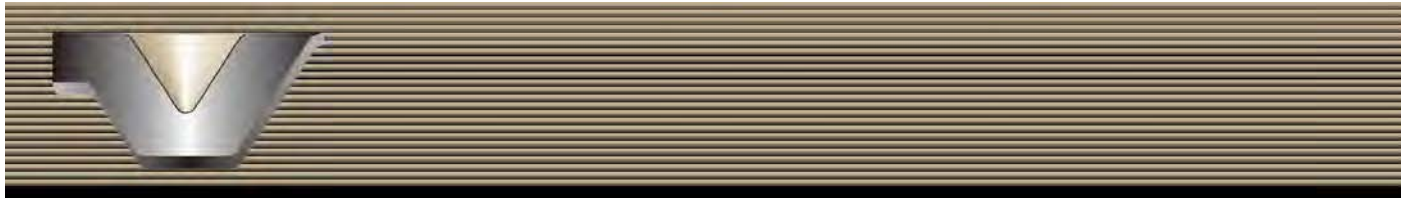
Yarding Blocks		Measurements in inches					Weight lbs/pc	Product Code
WLL Tons	Sheave Dia.	A	B	C	c-1	d-1		
1.5	3"	6.93	3.35	1.02	3.15	0.47	3	29360300
3	4"	9.25	4.76	1.34	3.39	0.63	5	29360400

Ultimate load            3 x the Working Load Limit ( WLL)

**WARNING :**            Do not exceed the listed load limits







## SK 05 Korean Type Block

Used for lashing equipment on lumber vessels and log carriers

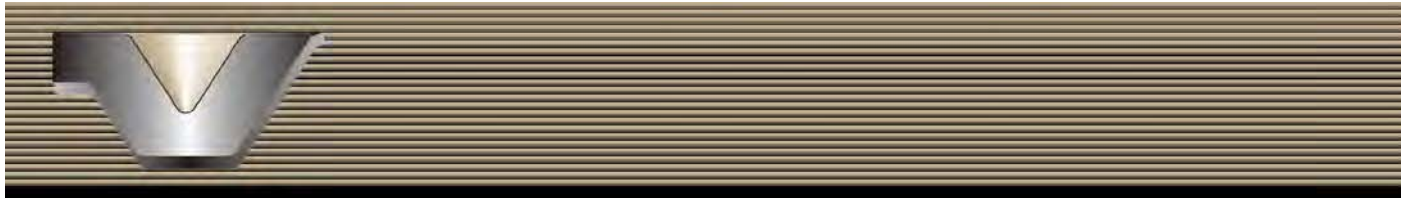


SK 05 Block									
Sheave				Rope		WLL	Weight		Product
Dia. (in.)				Size (in.)		Tons	lbs/pc		Code
6				3/4-15/16"		5	35.3		29356060

Ultimate load is 2 x the Working Load Limit ( WLL)

**WARNING** Never Exceed working load limits !

VANGUARD STEEL LTD.



## Gin Block

Gin Block Rope Pulley used with manila rope or synthetic 3 strand rope used by Roofers, Painters and Contractors for light hoisting and lifting.

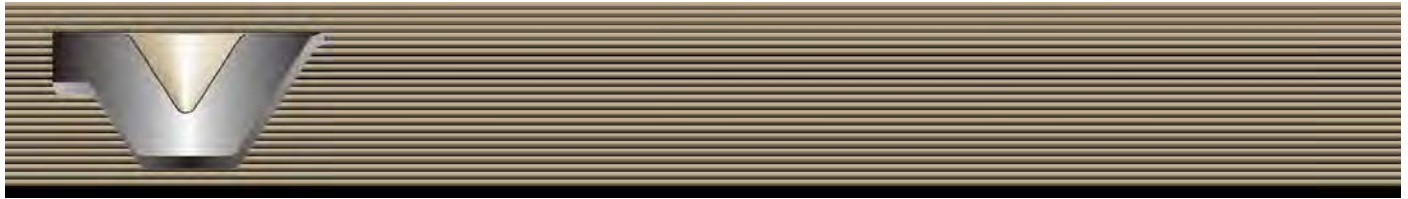
Supplied with Drop Forged Swivel Hook and Latch.



Gin Blocks		Sheave Size			Rope Size (in.)	WLL (lbs)	Weight lbs/pc	Product Code
Sheave Dia. (in.)	Outside Diameter	Rim Thickness	Bearing Diameter					
12"	12"	1.38"	.88"	1	1,000	13	29354012	

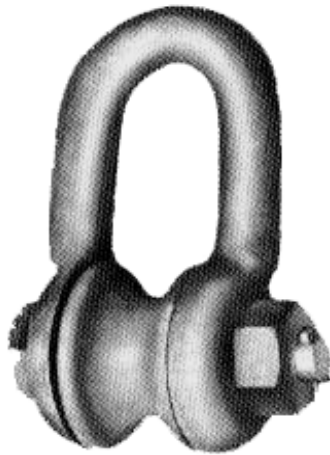
Ultimate load is 3 x Working Load Limit ( WLL)

Finish: Painted



# Roller Shackles

Used for lashing equipment on lumber vessels and log carriers



Roller Shackle									
Sheave Dia (in.)	Roller Thickness	Roller Diameter			Rope Size (in.)	WLL Tons	Weight lbs/pc		Product Code
1-1/8	2"	2-7/8"			4	4	8.2		29466028

Finish     Hot Dip Galvanized