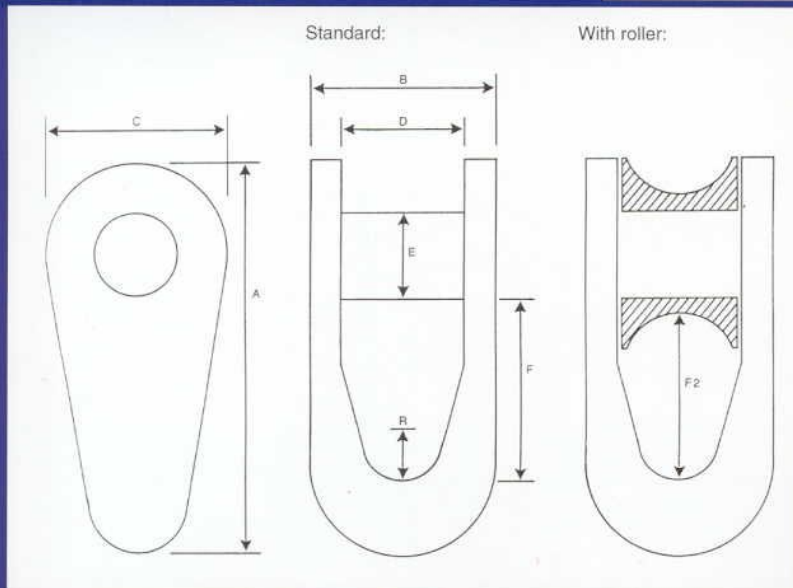




# FAST FIT® MOORING LINKS

Art.number	Construction	MBF (tons)	Weight (kg)
319.946	standard	120	11,6
319.947	standard	165	20,8
319.948	with roller	120	11,6
319.949	with roller	165	20,8



	Size 120 tons (mm)	Size 165 tons (mm)
A	283	325
B	127	165
C	134	150
D	100	120
E	64	75
F	134	150
F2	124	138
R	32	34

# ROLLERS FOR FAST FIT® MOORING LINKS

Art.number	MBF (tons)
319.950	120
319.951	165

